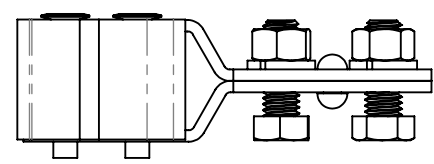
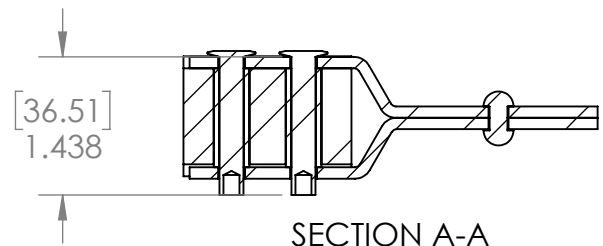
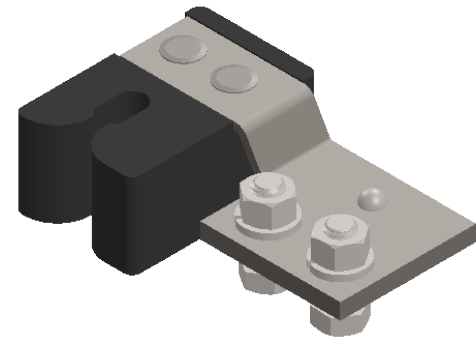
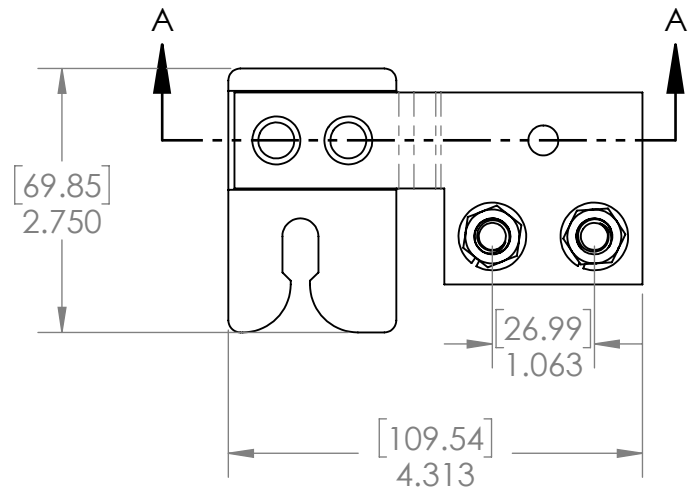


2

1

B

B



A

A

UNLESS OTHERWISE SPECIFIED:		NAME	DATE
DIMENSIONS IN INCHES [METRIC]	DRAWN	JR	1/26/23
TOLERANCES:	CHECKED		
FRACTIONAL ± 1/32	ENG APPR.	JR	1/26/23
ANGULAR BEND ± 1°	MFG APPR.		
TWO PLACE DECIMAL ± .04 [1.00]	Q.A.		
RADIUS & CHAMFER ± .07 [2.00]			

TITLE:		
MONOPOLE CABLE GUIDE		
SIZE	DWG. NO.	REV
A	115-303	-

PROPRIETARY AND CONFIDENTIAL
 THE INFORMATION CONTAINED IN THIS DRAWING IS THE SOLE PROPERTY OF TUF-TUG PRODUCTS. ANY REPRODUCTION IN PART OR AS A WHOLE WITHOUT THE WRITTEN PERMISSION OF TUF-TUG PRODUCTS IS PROHIBITED.

INTERPRET GEOMETRIC TOLERANCING PER: ISO 2768 vL
 MATERIAL
 FINISH
 DO NOT SCALE DRAWING



3434 Encrete Lane, Moraine OH

SCALE: 1:2	WEIGHT: 0.80	SHEET 1 OF 1
------------	--------------	--------------

2

1